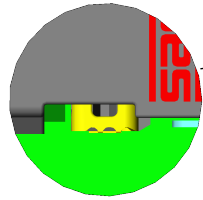
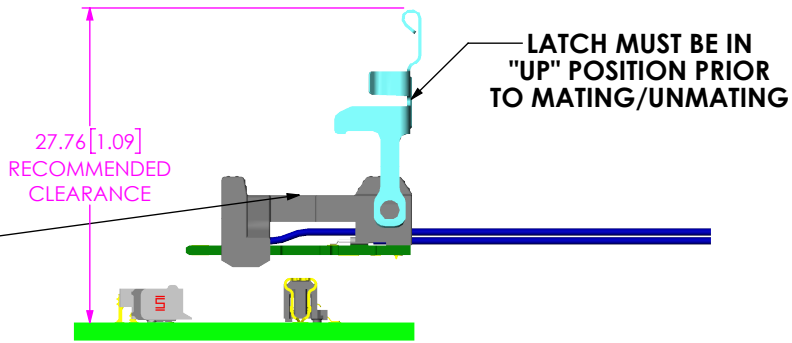


ECUE -1/UEC5 -1 LOW PROFILE HOUSING APPLICATIONS

1

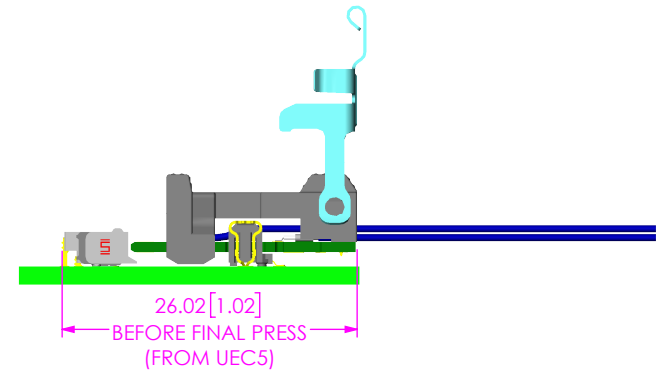


DETAIL A
SCALE 3:1



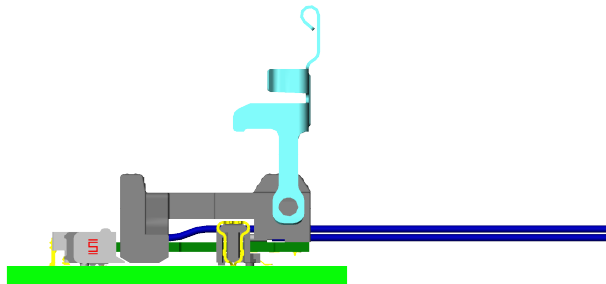
LOCATE PART OVER UCC8 TOWERS
AND GUIDE DOWN

2



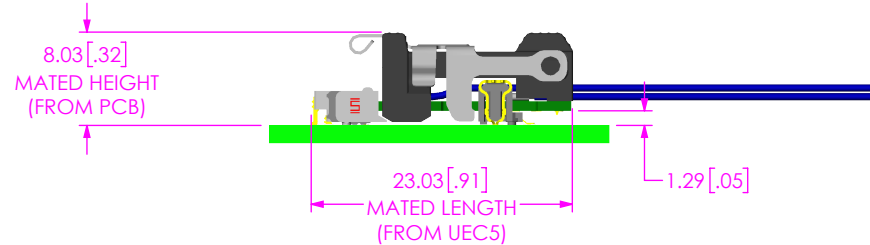
PRESS PART FORWARD INTO CONNECTORS

3



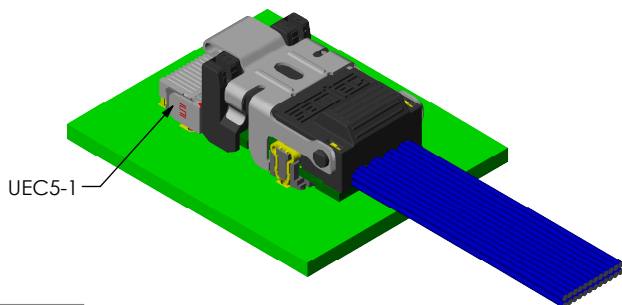
ROTATE LATCH INTO PLACE

4



NOTES:

- 1. ALL DIMENSIONS ARE NOMINAL FOR REFERENCE ONLY



DO NOT
SCALE FROM
THIS PRINT

PROPRIETARY NOTE
THIS DOCUMENT CONTAINS CONFIDENTIAL AND PROPRIETARY INFORMATION AND ALL DESIGN, MANUFACTURING, REPRODUCTION, USE, PATENT RIGHTS AND SALES RIGHTS ARE EXPRESSLY RESERVED BY SAMTEC, INC. THIS DOCUMENT SHALL NOT BE DISCLOSED, IN WHOLE OR PART, TO ANY UNAUTHORIZED PERSON OR ENTITY NOR REPRODUCED, TRANSFERRED OR INCORPORATED IN ANY OTHER PROJECT IN ANY MANNER WITHOUT THE EXPRESS WRITTEN CONSENT OF SAMTEC, INC.

DO NOT SCALE DRAWING

SHEET SCALE: 1:1



520 PARK EAST BLVD., NEW ALBANY, IN 47150
PHONE: 812-944-6733 FAX: 812-948-5047
e-Mail: info@SAMTEC.com code 55322

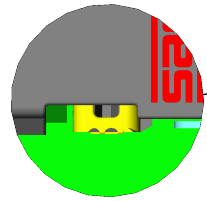
DESCRIPTION:
ECUE/UEC5/UCC8 MATING DOCUMENT

DWG. NO.
ECUE APPLICATIONS

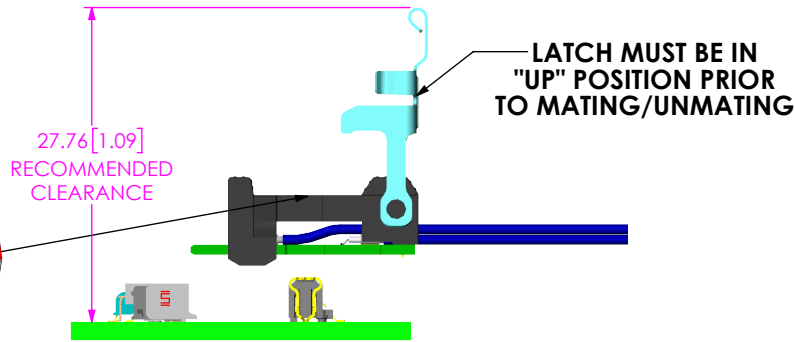
BY: FABIAN F. 11/10/2014 SHEET 1 OF 4

ECUE -2/UEC5 -2 LOW PROFILE HOUSING APPLICATIONS

1

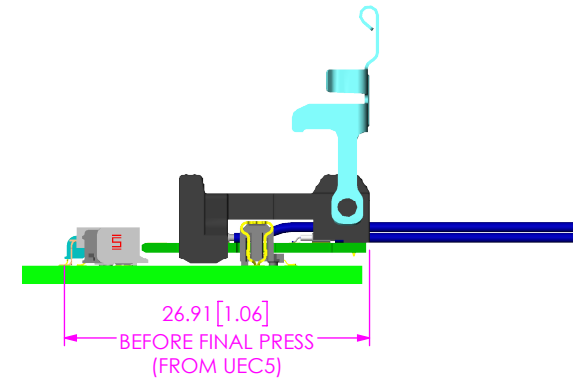


DETAIL C
SCALE 3:1



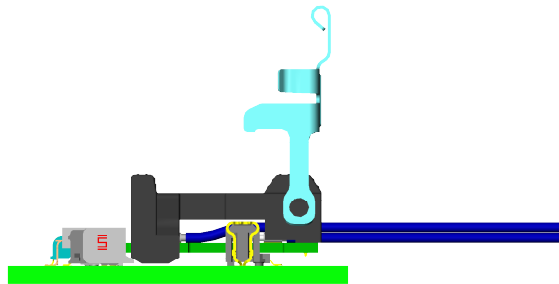
LOCATE PART OVER UCC8 TOWERS AND GUIDE DOWN

2



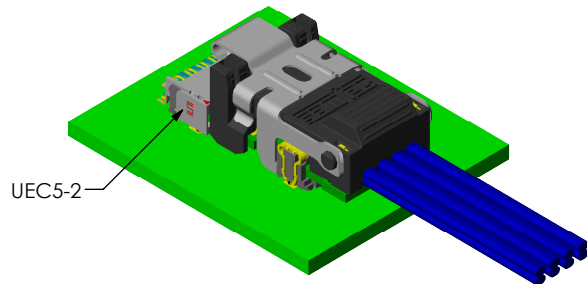
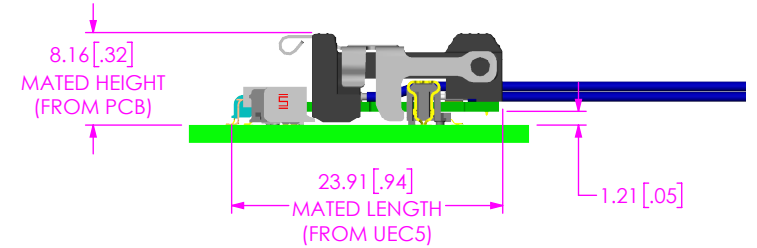
PRESS PART FOWARD INTO CONNECTORS

3



ROTATE LATCH INTO PLACE

4



UEC5-2

PROPRIETARY NOTE
THIS DOCUMENT CONTAINS CONFIDENTIAL AND PROPRIETARY INFORMATION AND ALL DESIGN, MANUFACTURING, REPRODUCTION, USE, PATENT RIGHTS AND SALES RIGHTS ARE EXPRESSLY RESERVED BY SAMTEC, INC. THIS DOCUMENT SHALL NOT BE DISCLOSED, IN WHOLE OR PART, TO ANY UNAUTHORIZED PERSON OR ENTITY NOR REPRODUCED, TRANSFERRED OR INCORPORATED IN ANY OTHER PROJECT IN ANY MANNER WITHOUT THE EXPRESS WRITTEN CONSENT OF SAMTEC, INC.



520 PARK EAST BLVD., NEW ALBANY, IN 47150
PHONE: 812-944-6733 FAX: 812-948-5047
e-Mail: info@SAMTEC.com code 55322

DO NOT SCALE DRAWING

DESCRIPTION:
ECUE/UEC5/UCC8 MATING DOCUMENT

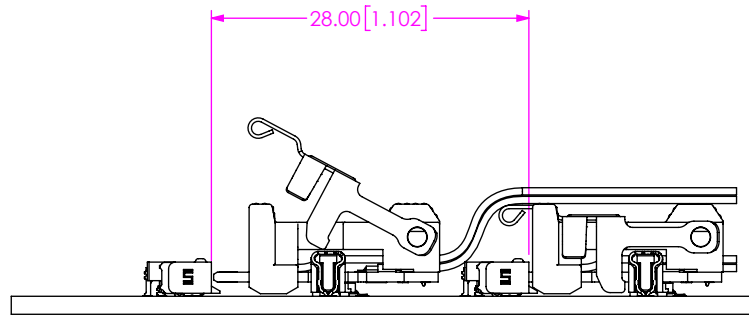
DWG. NO.
ECUE APPLICATIONS

BY: FABIAN F. 11/10/2014 SHEET 2 OF 4

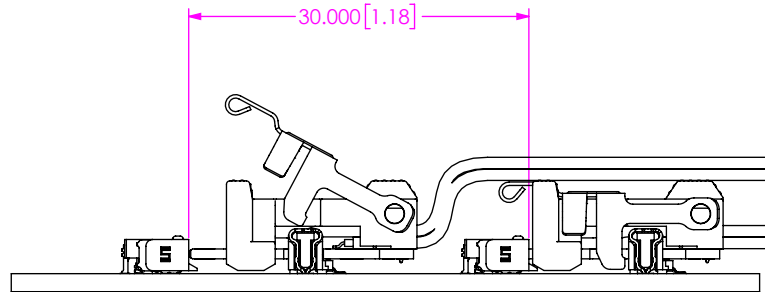
**MINIMUM STACKED ROW PITCH
(LOW PROFILE HOUSING)**

**CABLE OPTIONS
-C1 AND -T1
(NON-EQ & PASSIVE)**

ECUE-1

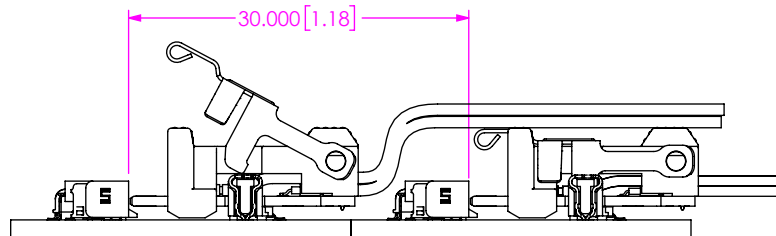


**CABLE OPTION
-T2
(NON-EQ & PASSIVE)**



ECUE-2

**CABLE OPTION
-T3**



PROPRIETARY NOTE
THIS DOCUMENT CONTAINS CONFIDENTIAL AND PROPRIETARY INFORMATION AND ALL DESIGN, MANUFACTURING, REPRODUCTION, USE, PATENT RIGHTS AND SALES RIGHTS ARE EXPRESSLY RESERVED BY SAMTEC, INC. THIS DOCUMENT SHALL NOT BE DISCLOSED, IN WHOLE OR PART, TO ANY UNAUTHORIZED PERSON OR ENTITY NOR REPRODUCED, TRANSFERRED OR INCORPORATED IN ANY OTHER PROJECT IN ANY MANNER WITHOUT THE EXPRESS WRITTEN CONSENT OF SAMTEC, INC.



520 PARK EAST BLVD., NEW ALBANY, IN 47150
PHONE: 812-944-6733 FAX: 812-948-5047
e-Mail info@SAMTEC.com code 55322

DO NOT SCALE DRAWING

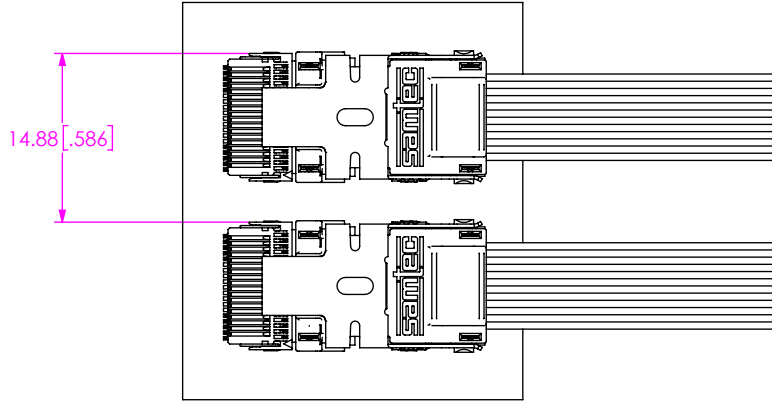
DESCRIPTION:
ECUE/UEC5/UCC8 MATING DOCUMENT

DWG. NO.
ECUE APPLICATIONS

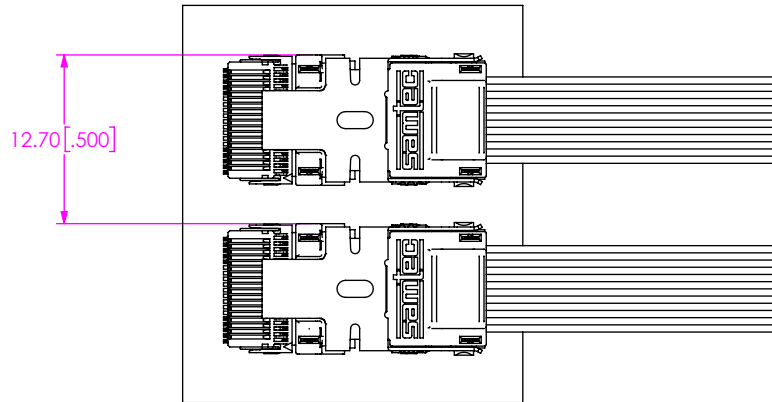
SHEET SCALE: 1:1

BY: FABIAN F. 11/10/2014 SHEET 3 OF 4

RECOMMENDED PITCH



MINIMUM PITCH



PROPRIETARY NOTE
 * THIS DOCUMENT CONTAINS CONFIDENTIAL AND PROPRIETARY INFORMATION AND ALL DESIGN, MANUFACTURING, REPRODUCTION, USE, PATENT RIGHTS AND SALES RIGHTS ARE EXPRESSLY RESERVED BY SAMTEC, INC. THIS DOCUMENT SHALL NOT BE DISCLOSED, IN WHOLE OR PART, TO ANY UNAUTHORIZED PERSON OR ENTITY NOR REPRODUCED, TRANSFERRED OR INCORPORATED IN ANY OTHER PROJECT IN ANY MANNER WITHOUT THE EXPRESS WRITTEN CONSENT OF SAMTEC, INC. *



520 PARK EAST BLVD., NEW ALBANY, IN 47150
 PHONE: 812-944-6733 FAX: 812-948-5047
 e-Mail info@SAMTEC.com code 55322

DO NOT SCALE DRAWING

DESCRIPTION:
 ECUE/UEC5/UCC8 MATING DOCUMENT

DWG. NO.

ECUE APPLICATIONS

SHEET SCALE: 1:1

BY: FABIAN F. 11/10/2014 SHEET 4 OF 4